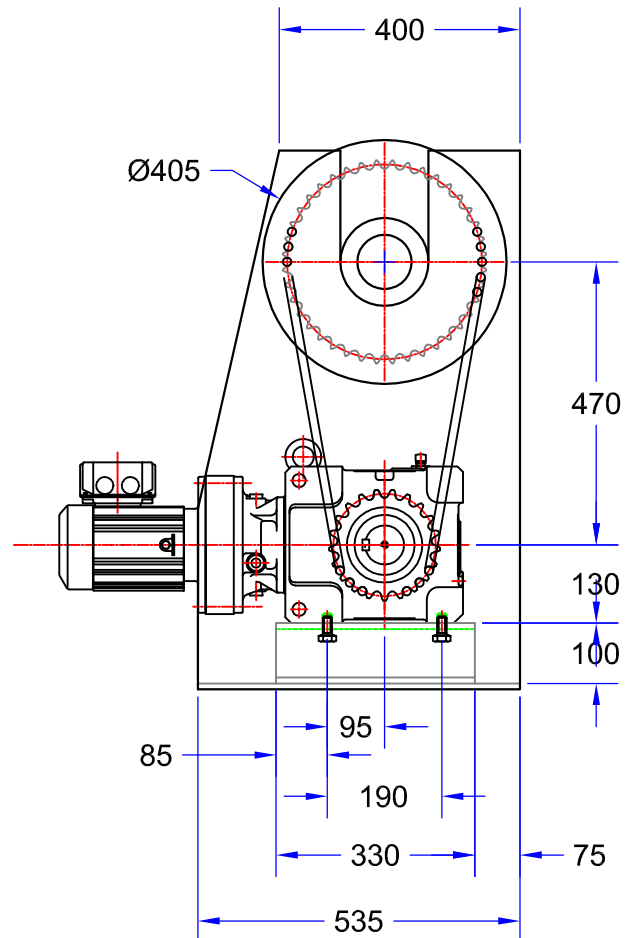
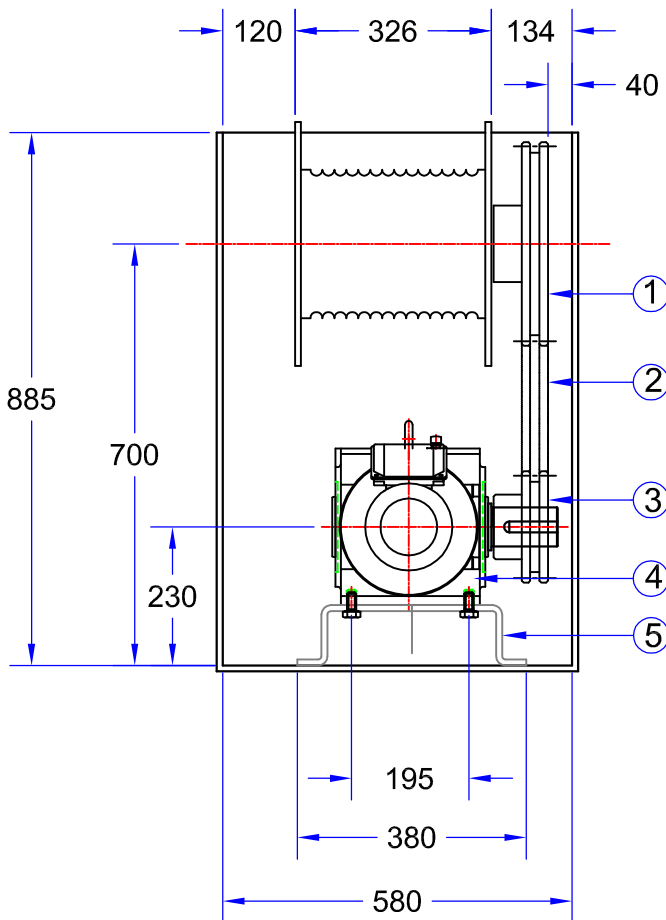


ITEM	DESCRIPTION
1	SPROCKET 802B40
2	CHAIN 80-DUPLEX
3	SPROCKET 802B21
4	LHDM2 3B145
5	BASE PLATE



Chain & Drives Australia

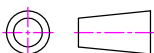
INQUIP PTY LTD
 US - 5 BENEFICIAL WAY
 WANGARA WA 6065
 PO BOX 1343 WA 6947
 TEL 08 9303 4966
 FAX 08 9303 4977
 www.inquip.com.au

Designed by	Checked by	Approved by - date	Filename	Date	Scale
-------------	------------	--------------------	----------	------	-------

THIS DRAWING REMAINS THE PROPERTY OF CHAIN AND DRIVES PTY LTD AND MUST NOT BE USED OR COPIED BY ANY PARTY WITHOUT THE EXPRESS PERMISSION

PROPOSED REPLACEMENT DRIVE FOR ANODE WINCH DRIVE DIRECT DRIVE CYCLO BUDDY BOX

Drawing Number	Edition	Sheet
CDA-DFM ANODE DRIVE-BBB1		



ALL DIMENSIONS IN MM
 UNLESS OTHERWISE NOTED