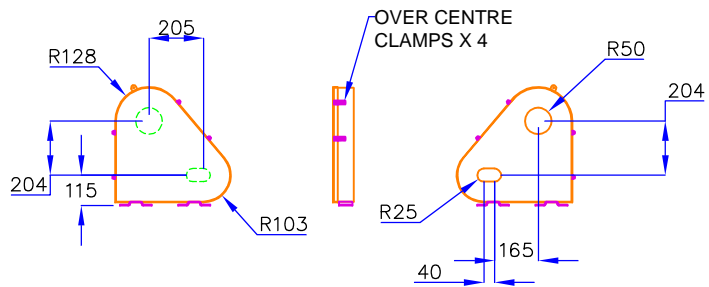
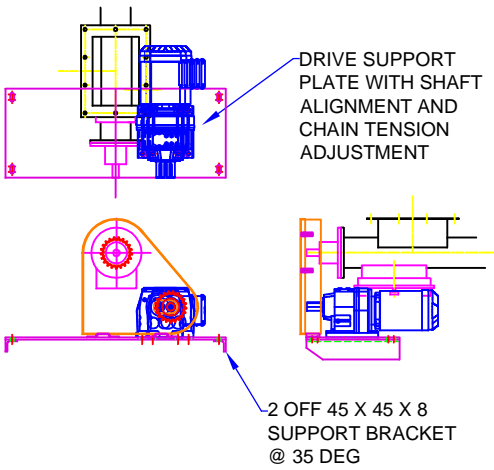
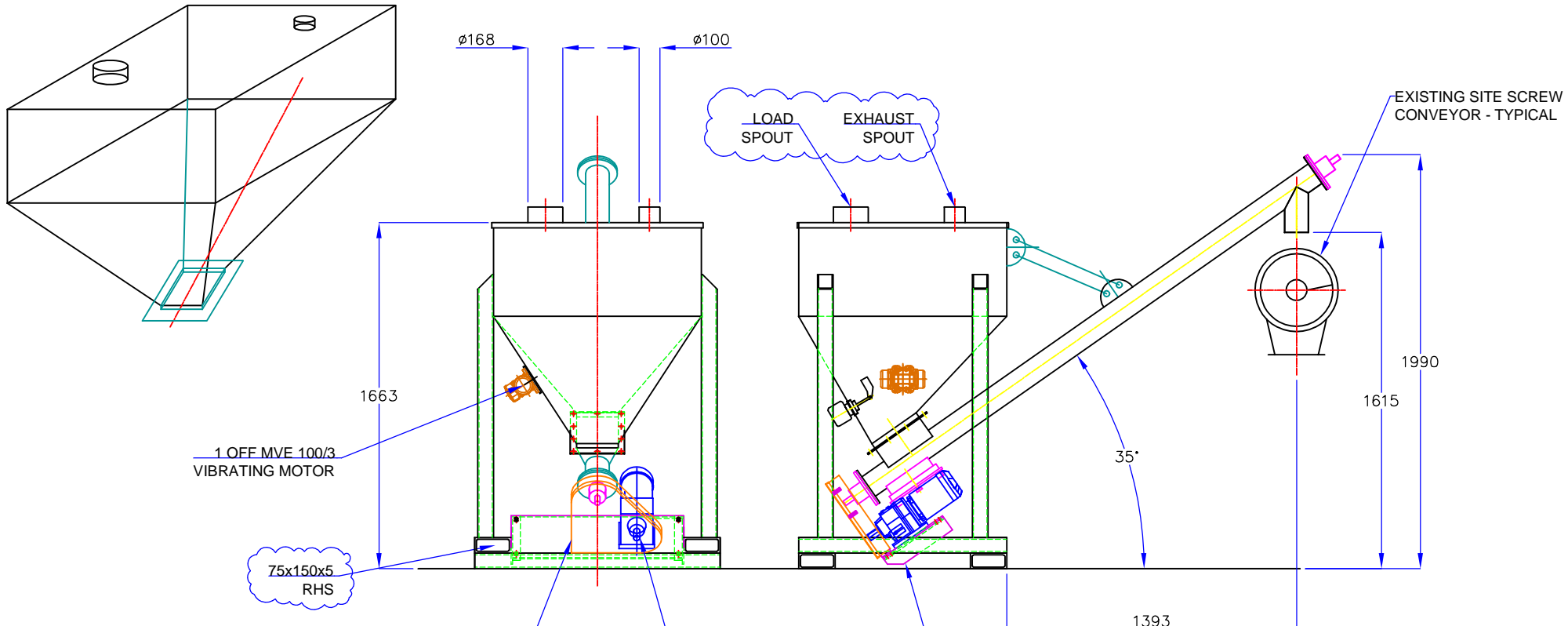


RevNo	Revision note	Date	Signature	Checked
1	ADDITIONAL DRIVE ARRANGEMENT DETAIL	16/7/2009	TCW	Checked
2	CONFIRMED LIFTING CHANNEL LEG AND LOADING DETAIL	25/7/2009	TCW	Checked



DRAWING APPROVAL	
<input type="checkbox"/>	APPROVED
<input type="checkbox"/>	APPROVED - EXCEPT AS NOTED
<input type="checkbox"/>	NOT APPROVED
BY _____	DATE: _____
COMPANY _____	
PROJECT / PURCHASE ORDER No _____	
APPROVAL DOES NOT RELIEVE INQUIP OF ANY RESPONSIBILITY OR LIABILITY UNDER THE CONTRACT OR PURCHASE ORDER	

 INQUIP PTY LTD US - 5 BENEFICIAL WAY WANGARUA WA 6265 PO BOX 1343 WA 6947 TEL 08 9303 4966 FAX 08 9303 4977 www.inquip.com.au	Designed by	Checked by	Approved by - date	Filename	Date	Scale
	THIS DRAWING REMAINS THE PROPERTY OF INQUIP PTY LTD AND MUST NOT BE USED OR COPIED BY ANY PARTY WITHOUT THE EXPRESS PERMISSION OF INQUIP PTY LTD			APPROVAL DESIGN DETAIL - CEMENT RECEIVE AND DISCHARGE RECYCLE HOPPER		Edition 2

ALL DIMENSIONS IN MM UNLESS OTHERWISE NOTED