



HIGH FREQUENCY VIBRATOR RANGE



OLI high frequency vibrators are studied for different applications like concrete molds, block making machines and for use in the precast industry.

OLI developed a full range of high frequency vibrators: fixed or variable frequency, foot mount or cradle connection.

The cradle allows a quick release coupling with our vibrator.

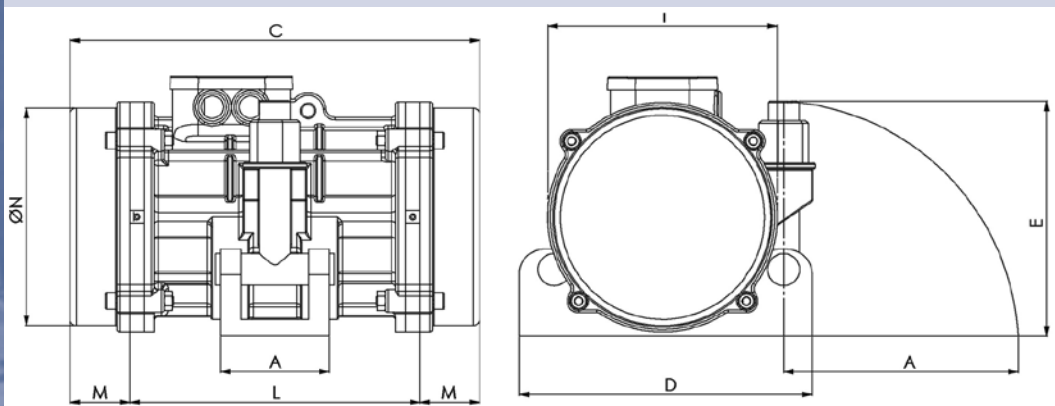


OLI AUSTRALIA

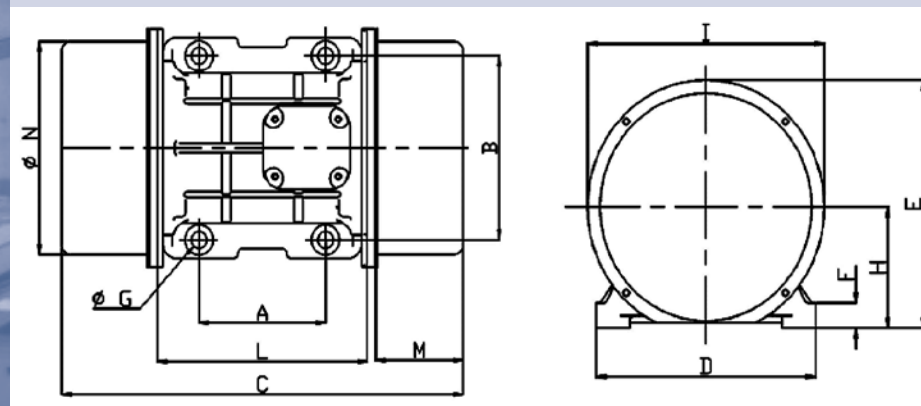
Electric & Pneumatic Vibrators & Flow Aids
www.olivibrators.com.au



Drawing H



Drawing D



Frequency	Connection (F= fixed C=cradle)	Type	Mechanical features		Electric features				Dimensional features																
			Vibration		FC	Power	Current		Drawing	Size	c	m	a	b	Øg	Holes	d	e	f	h	i	l	n	Weight	
			(vibr./min)		Kg	Kw	A max				(mm)	(mm)	(mm)	(mm)	(mm)	n°	(mm)	(mm)	(mm)	(mm)	(mm)	(mm)	(mm)	(mm)	(Kg)
							42V (Δ)	400V (Y)																	
Variable	F	MVE 1300/6V	0÷6000	0-100Hz	1474	1,3	22	2,4	D	50	321	47	120	170	17	4	208	210	22	94	180	205	170	22	
		MVE 1301/6V	0÷6000	0-100Hz	1474	1,3	22	2,4	D	53	321	47	100	180	17	4	236	210	26	98	180	205	170	32	
	C	MVE 1300/6VC	0÷6000	0-100Hz	1474	1,3	22	2,4	H	50C	321	47	132	/	/	/	230	184	/	/	180	227	170	29	

Rights reserved to modify technical specifications

CATMVEHFINTEN01_03/02/2010

Oli Vibrators Pty Ltd (Aust)
 Factory 4, 3 Gatwick Road, Bayswater Vic 3153
 Phone: 61 3 8761 6911 / Fax: 61 3 8761 69223
 info@olivibrators.com.au / www.olivibrators.com.au