

|  |   |  |  |  |  |  |  |  |               |
|--|---|--|--|--|--|--|--|--|---------------|
|  | <b>MVO 850: TECHNICAL DATA SHEET</b>    |  |  |  |  |  |  |  | REL. 2007 - 0 |
|  | MECHANICAL FEATURES, OVERALL DIMENSIONS |  |  |  |  |  |  |  |               |
|  |   |  |  |  |  |  |  |  |               |

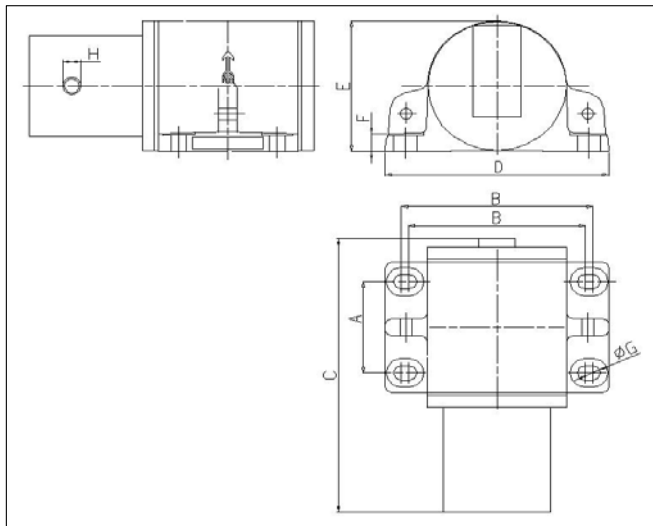
**MECHANICAL FEATURES**

| TYPE    | Centrifugal force |     |          |      | Working Moment |       | Static Moment |       | Operating press. | Max Pressure | Flow     |          |
|---------|-------------------|-----|----------|------|----------------|-------|---------------|-------|------------------|--------------|----------|----------|
|         | 3000 RPM          |     | 6000 RPM |      | Kg*cm          | in*Lb | Kg*cm         | in*Lb | bar              | bar          | Lt/min   |          |
|         | Kg                | Lb  | Kg       | Lb   |                |       |               |       | 3000 Rpm         | 6000 Rpm     | 3000 Rpm | 6000 Rpm |
| MVO 850 | 208               | 459 | 830      | 1830 | 4,12           | 3,57  | 2,06          | 1,78  | 70               | 120          | 9,8      | 20       |

| BEARING LIFE |                   |      |              |
|--------------|-------------------|------|--------------|
| RPM          | Centrifugal Force |      | Bearing Life |
|              | Kg                | Lb   | hrs          |
| 3000         | 208               | 459  | 1.375.922    |
| 6000         | 459               | 1830 | 6.826        |



**OVERALL DIMENSION**



| A      |      | B       |           | C   |      | D   |      |
|--------|------|---------|-----------|-----|------|-----|------|
| mm     | inch | mm      | inch      | mm  | inch | mm  | inch |
| 80     | 3,15 | 144-156 | 5,67-6,14 | 240 | 9,45 | 182 | 7,16 |
| E      |      | F       |           | G   |      | H   |      |
| mm     | inch | mm      | inch      | mm  | inch |     |      |
| 115    | 4,53 | 16      | 0,63      | 13  | 0,51 | 3/8 |      |
| WEIGHT |      |         |           |     |      |     |      |
| Kg     |      | Lb      |           |     |      |     |      |
| 11     |      | 24      |           |     |      |     |      |