



CTF_{UNI/VIS}

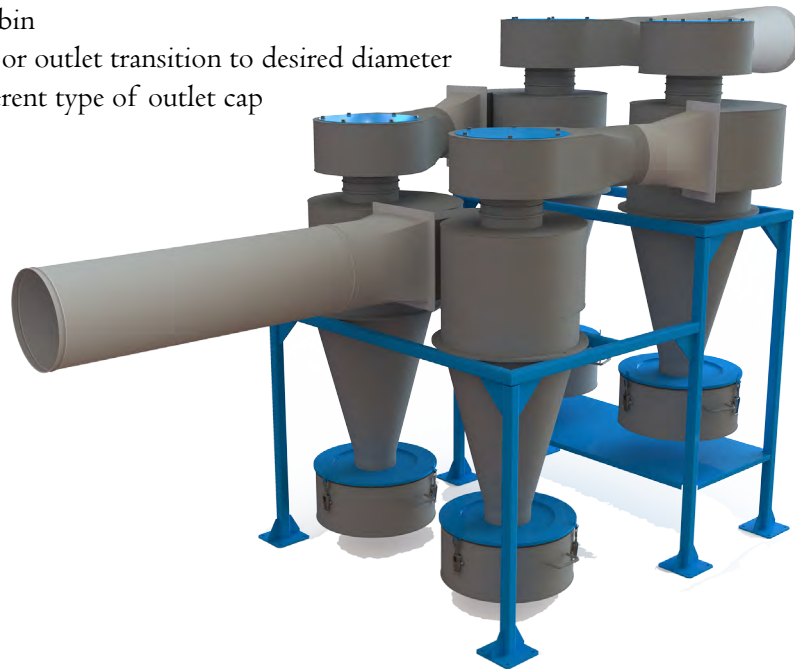
Centrifugal dust separators

CTF-UNI is a universal dust separator (cyclone) for separation of larger dust particles, larger dimensions and small bulk density in wood working industries, mineral wool production, etc. It has been used as a primary separator in pneumatic transport, installations and extraction systems where dust particles are approx. 50 μ m with efficiency of 90%. Fine dust from outlet must filtered in bag filters (PMV type) or depending on the application.

CTF-VIS is a centrifugal dust separator (cyclone) and used for dry separation of dust with a relatively small dimension, improved separation of the high speed of flow in the cyclone. Higher velocities in the cyclone increased efficiency for smaller dust particles (up to 35 μ m). The maximum separation of the particles is 95% for particles larger than 150 μ m. It is used in the woodworking industry, metallurgy, animal feed, milling and baking, cement and pneumatic conveying systems, tires, etc. and have the ability to extend the capacity. Input speed in the pipeline at the entrance of the cyclone should not be less than 17.5 m/s.

Optional:

- Expander box
- Rotary Valve
- Dustbin
- Inlet or outlet transition to desired diameter
- Different type of outlet cap





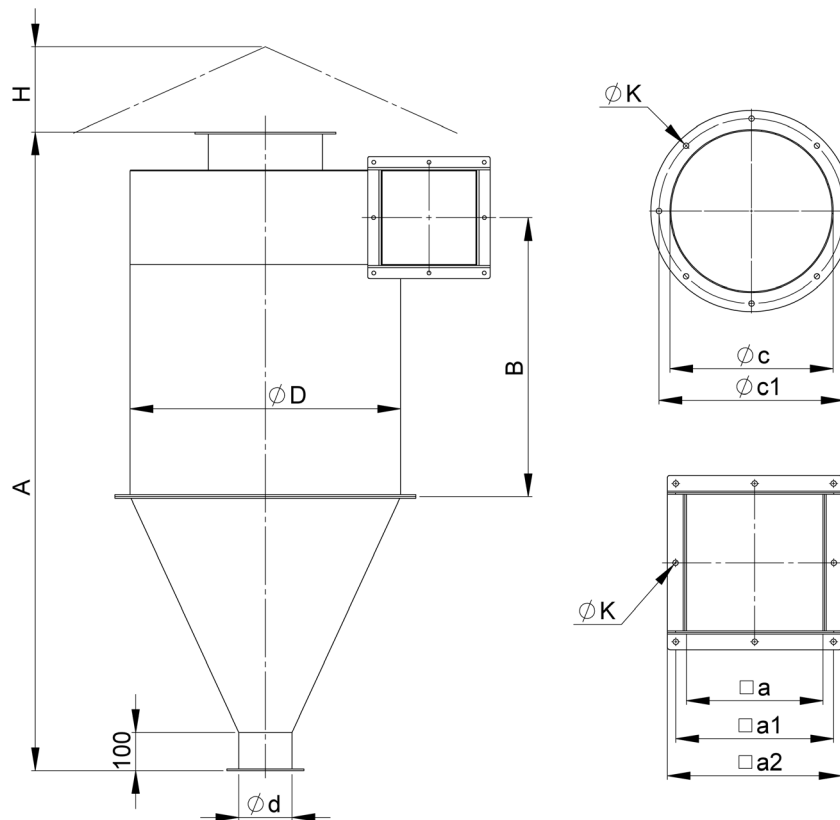
CTF_{UNI}

Universal Centrifugal dust separator

Size	ØD	A	B	Ød	a	a1	a2	Øc	Øc1	ØK	H	Weight [kg]
10	630	1490	620	120	225	265	295	280	320	9,5	200	148
20	710	1680	710	140	250	290	320	300	340	9,5	200	162
30	800	1900	800	150	300	340	370	340	380	9,5	250	186
40	950	2150	940	180	330	370	400	480	520	9,5	300	241
50	1100	2440	1080	200	370	410	440	570	610	9,5	400	330
60	1200	2820	1250	225	425	475	505	600	650	9,5	500	374
70	1400	3200	1400	250	480	530	560	680	730	9,5	580	560
80	1500	3650	1590	290	525	575	605	740	790	9,5	630	671
90	1750	4200	1850	330	630	680	710	820	870	9,5	660	781
100	2000	4700	2100	370	720	780	820	1000	1060	11	680	810
110	2400	5380	2300	420	820	880	920	1150	1210	11	700	904
120	2700	6000	2740	470	940	1000	1040	1300	1360	11	800	1040

Note:

Cylones are delivered in standard without support structure. If you want to order support structure, please indicate the dimension in from 0,00 to discharge flange Ø d.



CE



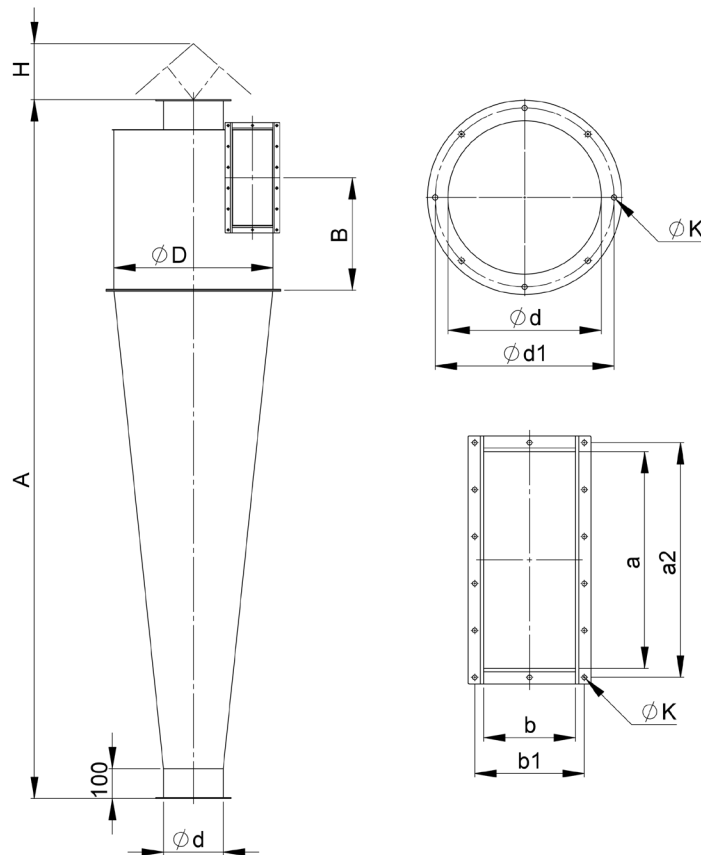
CTF_{VIS}

High Efficiency Centrifugal dust separator

Size	ØD	A	B	Ød	a	a1	b	b1	ØK	H	Weight [kg]
10	380	1640	260	140	230	270	100	140	9	200	75
20	454	1910	310	165	270	310	125	165	9	250	84
30	550	1900	340	205	330	370	145	185	9	300	91
40	680	2340	470	250	405	455	175	225	9	400	142
50	800	3360	560	300	485	535	205	225	9	500	184
60	950	3980	650	350	580	630	240	255	9	600	235
70	1150	4800	810	420	690	750	290	290	11	650	345
80	1400	5830	980	500	840	900	355	350	11	710	540
90	1500	6250	1050	550	900	960	375	435	11	780	645

Note:

Cylones are delivered in standard without support structure. If you want to order support structure, please indicate the dimension in from 0,00 to discharge flange Ø d.





CTF_{UNI/VIS}

Centrifugal dust separators

CTF - UNI - 60 - K - L

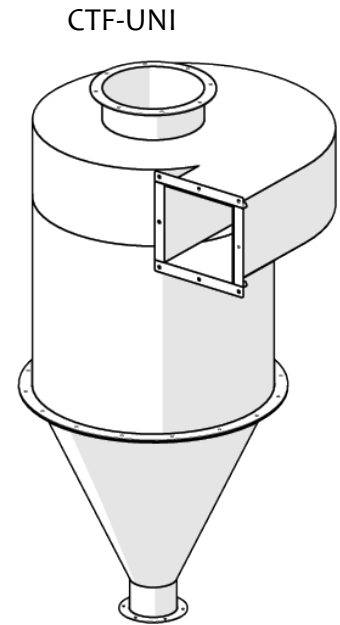
Cyclone Dust Separator

Universal cyclone for larger dust particles

Size	Airflow [m ³ /h]
10	Q = 1.800 - 3.250
20	Q = 2.400 - 4.200
30	Q = 3.000 - 5.000
40	Q = 3.800 - 6.050
50	Q = 6.000 - 10.050
60	Q = 7.500 - 12.500
70	Q = 9.500 - 15.000
80	Q = 17.000 - 30.000
90	Q = 22.500 - 40.000
100	Q = 22.500 - 40.000
110	Q = 22.500 - 40.000
120	Q = 30.000 - 50.000

Outlet
BK - without outlet cap
K - with outlet cap

Orientation
L - left
R - right



CTF - VIS - 40 - K - L

Cyclone Dust Separator

High efficiency

Size	Airflow [m ³ /h]
10	Q = 1.100 - 1.800
20	Q = 1.600 - 2.600
30	Q = 2.300 - 3.800
40	Q = 3.200 - 5.050
50	Q = 4.700 - 7.000
60	Q = 6.800 - 10.600
70	Q = 9.500 - 14.500
80	Q = 13.500 - 22.500
90	Q = 18.500 - 31.500

Outlet
BK - without outlet cap
K - with outlet cap

Orientation
L - left
R - right

