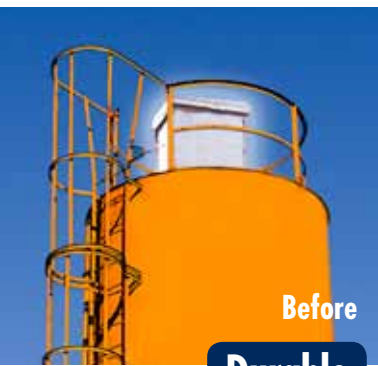


AIR FILTRATION AIR FILTRATION AIR FILTRATION

Silo Venting Filter DUSTSHAKE™ R01



*Shaker
 Cleaning System*



Durable



DUSTSHAKE™ R01 is a polygonal shaped **SILO VENTING FILTER** for silos which are filled by tankers.

Dust is separated from the dirty air flow by means of a multipocket polyester filter element. Dust drops back down into the silo after electromechanical shaking of the filter element.

- Stainless steel body
- Hinged top cover enables quick replacement of filter elements module
- Removable front panel for comfortable inspection of filter media
- Easy to install

Silo Filling

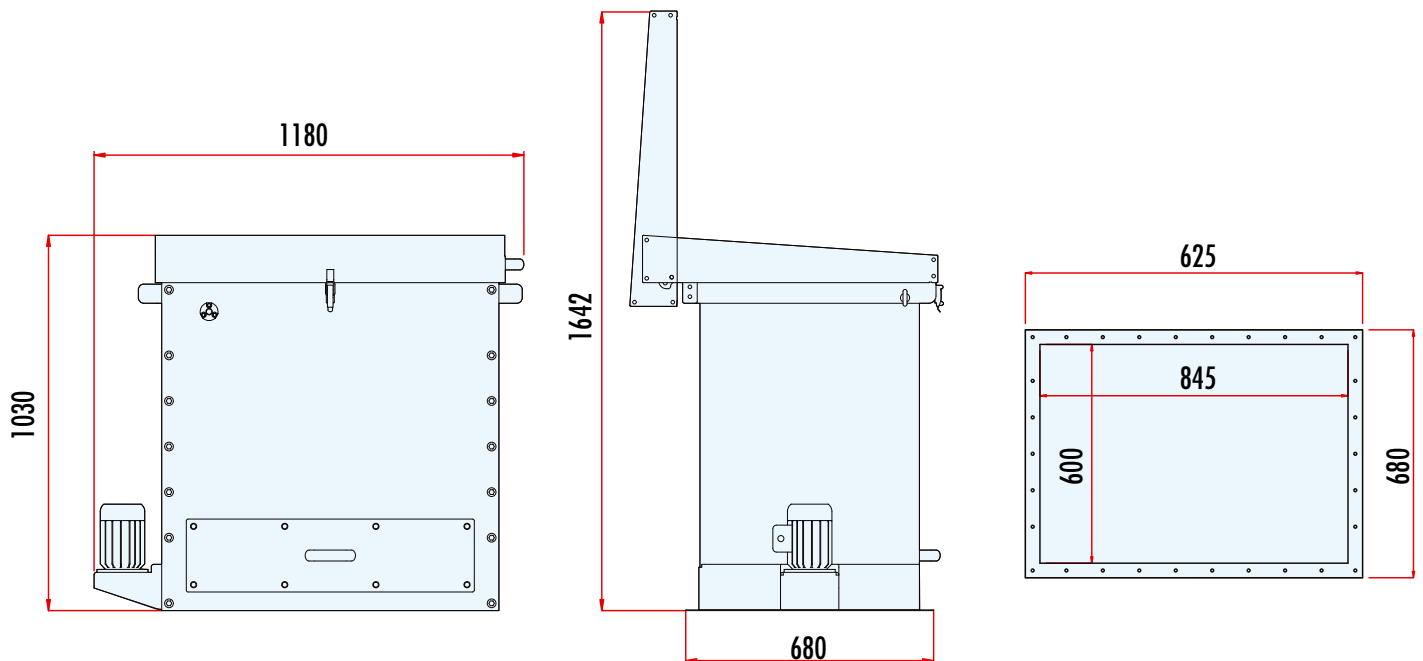


Dust is separated from the dirty air flow while clean air is evacuated from the filter

Filter Cleaning



Dust drops down into the silo due to shaking filter elements



063001431 September 2012 Rights reserved to modify technical specifications.

