

## K- HD Polyurethane Guide Roller

### K-HD Polyurethane Guide Roller

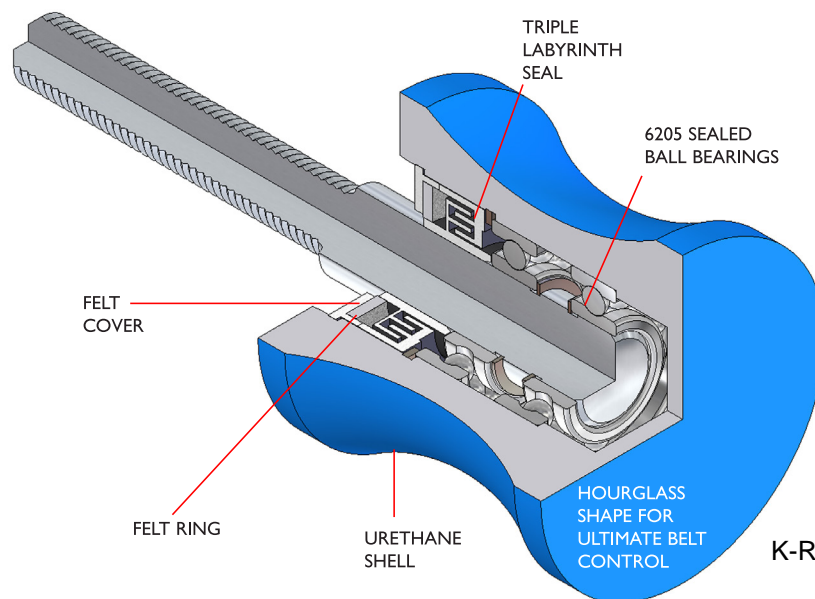
K-HD polyurethane guide roller is designed to control belt alignment without causing damage to the belt, as found in some steel guide idler applications. The unique design of the guide roller ensures long-life and stability through even the harshest environments.

### Design Features

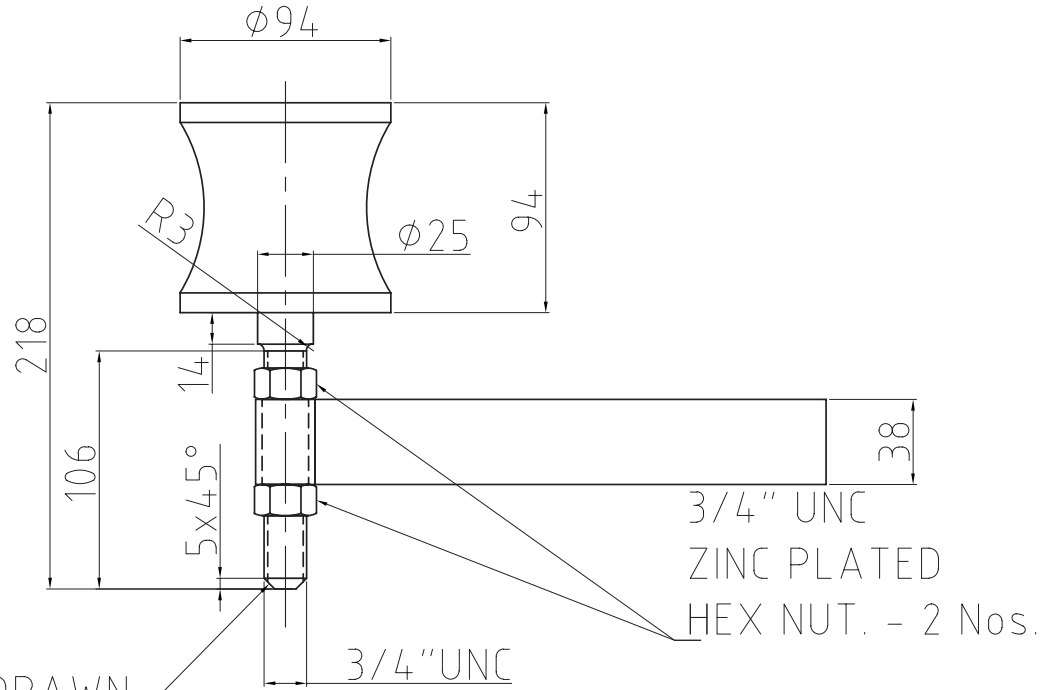
- Contains two 6205 sealed ball bearings with triple labyrinth seal for added protection
- Injection-moulded shell made from high quality, wear resistant polyurethane
- Full-length threading for unlimited height adjustment
- Concave design is superior to flat steel guide rollers as it helps force the belt back down onto the idler rolls



Extra heavy duty design available on application



K-ROL-HDSR-102 LUFF



AISI 1018 COLD DRAWN  
PRECISION GROUNDED

