

RSM

Manual Bag Emptier

INQUIP
BULK MATERIAL
& DUST HANDLING

PRODUCT » DENSITY » FLOW

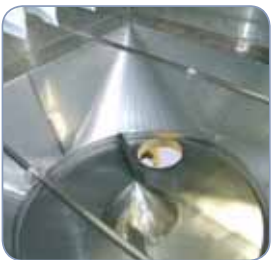
Distributor for  WAMGROUP

**Optimum safety,
user friendliness
and comfort**

**Guarantee
for a clean
workspace!**



Integrated Dust Collector



With Rotating BINSWEEP®
Discharger

Market Sectors



Food & chemical industry applications



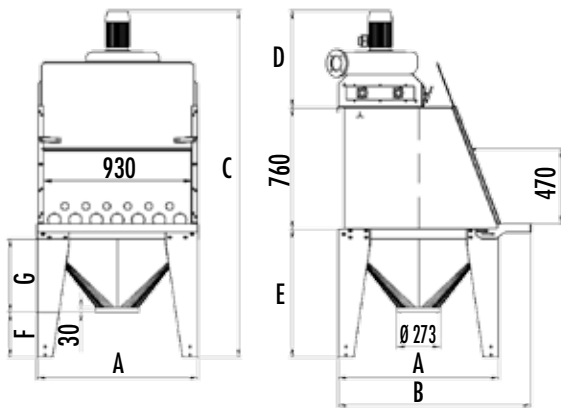
RSM

Manual Bag Emptier

- Carbon steel design, powder coating - 304L stainless steel
- Feets of various heights

On demand available:

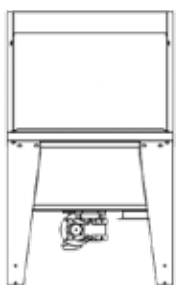
- Integrated bag compactor
- Integrated BINSWEEP®
- Integrated vibrated hopper



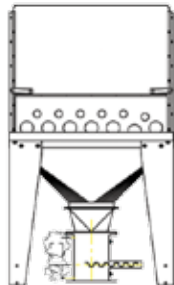
	RSM03
A	1006
B	1208
C*	2166
D*	606
E*	800
F**	282
G**	458

* Depending on the height of the filter elements and on the type of support feet
 ** Depending on the hopper model

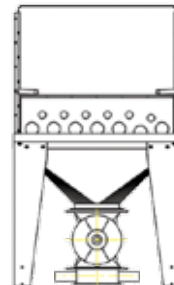
Filter Element					
Type	Number	Height (mm)	Surface Area (m ²)	Fan Power (kW)	
Cartridges	14	520	12	1.1	
		770	18		
		920	22		
Cylindrical Bags	14	520	3	0.75	
		920	5		
		1360	8		
Elliptical Bags	18	520	4	0.75	
		920	7		
		1360	10		



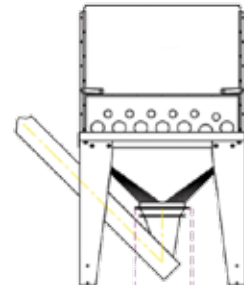
With BINSWEEP®



With Micro-Batch Feeder MBF



With Rotary Valve RV
Pneumatic Conveying



With Inclined Screw Conveyor



063001475 September 2012 Rights reserved to modify technical specifications.



Technical Features

Dimensions

Filter Data

Applications