

Waste Water Treatment

Sub-vertical Mechanical Fine Bar Screens GVF



Description ▼

GVF Sub-vertical Mechanical Fine Bar Screens consist of a robust steel frame and a bar filter varying according to the screening efficiency required.

GVF screens are used for medium-fine screening of both civil and industrial sewage.

Waste water flows into the upstream end of the unit where screenings are captured on the bars.

While the chain-driven rakes clean the bars, material is conveyed to the discharge point.

Solids are removed from the rakes by a wiper and discharged into a dumpster, conveyor or compactor.

Application ▼



DS-GVFEN-October 2015-900
Rights reserved to modify technical specifications.

Benefits ▼

- ✓ Rake tines precision laser-cut from continuous stainless steel bar;
- ✓ Upper and lower sprocket to maintain strict alignment required by fine bar spacing;
- ✓ Self-lubricating lower bronze bush enclosed in sealed casing ;
- ✓ Reduced service requirements (no need to take screen out of the channel).



Waste Water Treatment

Sub-vertical Mechanical Fine Bar Screens GVF



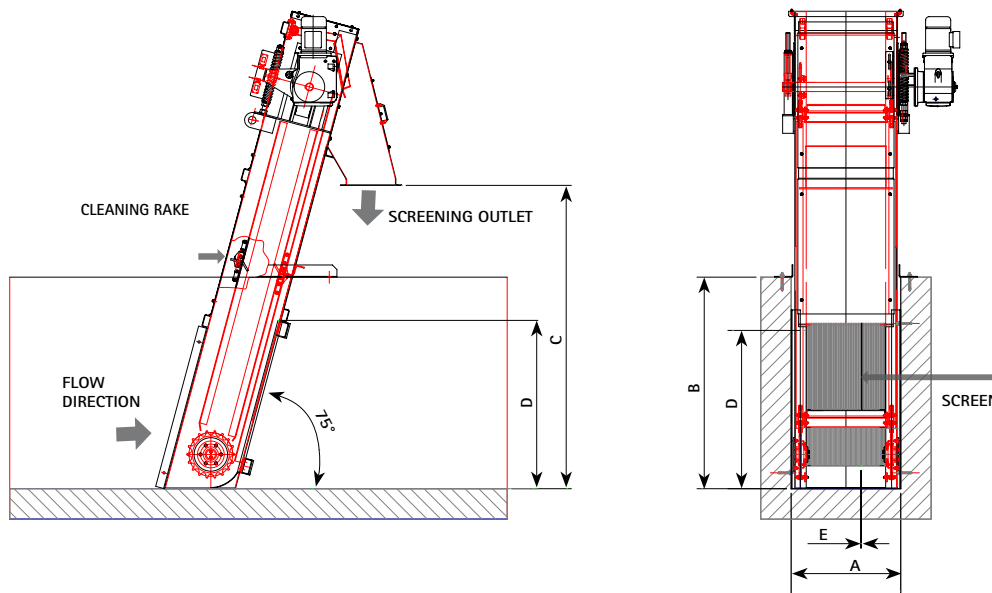
Technical Features / Performance

- ▶ 6 ~ 10mm spacing
- ▶ 4 or more cleaning rakes depending on screen height
- ▶ Channel width: 400 ~ 2,000 mm
- ▶ 75-degree incline angle
- ▶ Material: hot dip galvanised steel, 304 L / 316 L SS
- ▶ Incline angle other than 75 degrees up to 90 degrees with goose neck (option)
- ▶ Control panel (option)

GVF - SUB-VERTICAL MECHANICAL FINE BAR SCREEN - FLOW RATES			
MODEL FLOW RATE m ³ /h	6 mm	8 mm	10 mm
GVF 400	135	195	220
GVF 600	265	380	430
GVF 800	390	570	640
GVF 1000	520	750	850
GVF 1200	650	940	1,060
GVF 1400	775	1,125	1,270
GVF 1500	840	1,215	1,380
GVF 2000	1,160	1,680	1,900

- Fixed parameters: screening zone height: 1 m
- Screen slope: 75°
- Head loss: 300 mm
- Values related to municipal waste water, screen partially occluded (30%)

Overall Dimensions



GVF - SUB-VERTICAL MECHANICAL FINE BAR SCREEN						
MODEL (*)	CHANNEL WIDTH A mm	CHANNEL HEIGHT B m	DISCHARGE HEIGHT FROM CHANNEL BOTTOM C mm	STANDARD SCREENING ZONE HEIGHT D mm (**)	OPENING SIZES mm (*)	INSTALLED POWER kW
GVF 400	400	1 ÷ 10	customer's requirement	1,000	6 - 8 - 10	0.75
GVF 600	600	1 ÷ 10	customer's requirement	1,000	6 - 8 - 10	0.75
GVF 800	800	1 ÷ 10	customer's requirement	1,000	6 - 8 - 10	0.75
GVF 1000	1,000	1 ÷ 10	customer's requirement	1,000	6 - 8 - 10	1.1
GVF 1200	1,200	1 ÷ 10	customer's requirement	1,000	6 - 8 - 10	1.1
GVF 1400	1,400	1 ÷ 10	customer's requirement	1,000	6 - 8 - 10	1.1
GVF 1500	1,600	1 ÷ 10	customer's requirement	1,000	6 - 8 - 10	1.5
GVF 2000	2,000	1 ÷ 10	customer's requirement	1,000	6 - 8 - 10	1.5

(*) these are standard models; intermediate values are available
 (**) standard height of the screening zone: 1,00 m, different heights available

