

## K-MotorShield Motor Covers

Ensure your electric drive motors keep performing efficiently and last longer with K-MotorShield Motor Covers, so you can spend more time processing.

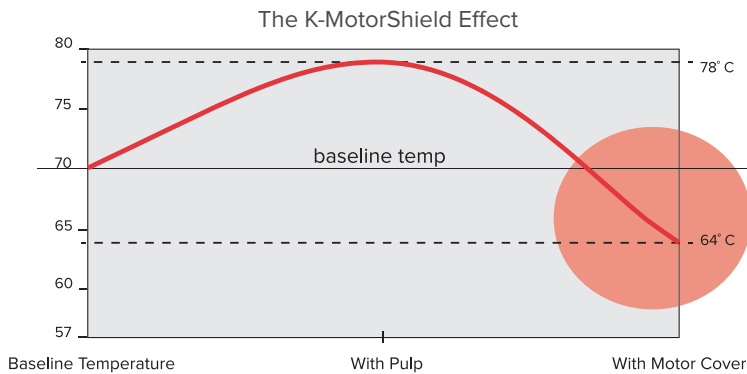
K-MotorShield prevents damaging temperature increases caused by blocked airflow. A motor fitted with K-MotorShield achieves higher airflow through the cooling fins. Dirt and dust particles are pushed through the fins while heavy contaminants, like coal slurry, settle on top of the cover, not in your cooling fins.

Designed in lightweight yet durable materials able to withstand conditions in a wide range of material handling applications, K-MotorShield Motor Covers will prevent environmental debris and particles destroying bearings, windings and brushes on drive motors.

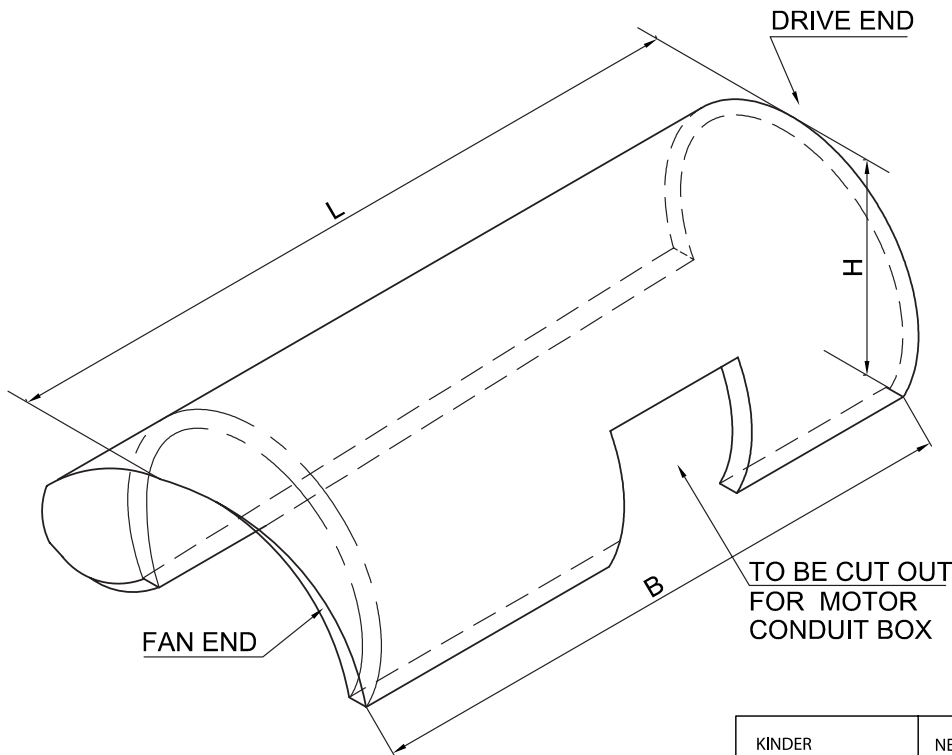
They are a simple solution to ensuring motor longevity, proven by results in hundreds of applications worldwide.

### Key Benefits

- Increases airflow through the cooling fins by 140%
- Lowers internal motor bearing and winding temperatures
- Keeps motors clean for easier maintenance
- Will not corrode or rust
- Lightweight, snap-on, durable design
- Standard stock sizes for easy fitment to all IEC and NEMA frames



# K-MotorShield Motor Covers



## INSTALLATION INSTRUCTIONS

### Just Cut and Snap - 4 easy steps

- STEP 1:** Covers arrive without a cut-out for the conduit box or lifting lugs (if any). Align the back end of the cover so it extends about 25mm past the drive end of the motor. (Be sure to clean the motor cooling fin channels and air intake before installing the cover).
- STEP 2:** With a black pen, mark the location of the conduit box cut-out.
- STEP 3:** Using a jigsaw or similar type saw, cut out the conduit box slot in the side of the cover.
- STEP 4:** Stretch the sides of the cover and snap over the motor. The angled end of the cover should extend out and over the air intake.

KINDER PART NUMBER	NEMA FRAME SIZE	IEC FRAME EQUIVALENT	COVER DIMENSIONS (H x B x L) mm	WEIGHT Kg
K-SAF-KMS-152x226	48	71M / 80M	152 x 226 x 279	1.0
K-SAF-KMS-177x259	143,145	90S,L / 100S,L	177 x 259 x 330	1.0
K-SAF-KMS-228x307	182,184	112S,M	228 x 307 x 381	1.5
K-SAF-KMS-279x426	213,215	112L / 132S,M	279 x 426 x 533	2.0
K-SAF-KMS-317x546	254,256	132L / 160S,M	317 x 546 x 660	3.0
K-SAF-KMS-335x609	284,286	160L / 180S,M	355x 609 x 711	3.0
K-SAF-KMS-411x736	324,326	200S,M,L	411 x 736 x 889	4.0
K-SAF-KMS-457x696	364,365	225S,M,L	457 x 696 x 838	5.0
K-SAF-KMS-508x784	404,405	250S,M,L	508 x 784 x 939	6.5
K-SAF-KMS-558x1219	444,445	280S,M	558 x 1219 x 1320	8.0
K-SAF-KMS-660x1219	447,449	280K,H	660 x 1219 x 1422	14.0
K-SAF-KMS-635x1003	504,505	315S,M	635 x 1003 x 1193	10.0
K-SAF-KMS-736x1168	586,587	355S,M	736 x 1168 x 1346	13.0
K-SAF-KMS-762x1790	5009-5012	-	762 x 1790 x 2057	14.5

#	DIMENSIONS IN MILLIMETRES				DO NOT SCALE		3RD ANGLE PROJECTION	
	SCALE	DATE	18.08.10		TITLE		ORDER No.	
					K- MOTOR SHIELD MOTOR COVER		CUSTOMER	
MATERIAL STATUS	G.G.	CHECKED	REL. #PCEP	APPROVED	REL. #PCEP	THIS DRAWING IS THE PROPERTY OF KINDER & CO AND MUST BE RETURNED UPON REQUEST. IT MAY NOT BE COPIED OR REPRODUCED WITHOUT THE WRITTEN PERMISSION OF KINDER & CO. ABN 280 964 892 38		REF ASSY
△ UNFINISHED SURFACES	△ DIMENSIONS	△ TOLERANCES	△ SURFACES	△ DIMENSIONS	△ TOLERANCES	KINDER BULK MATERIALS HANDLING PRODUCTS		DRAWING No.
						email:sales@kinder.com.au www.kinder.com.au		1993 R1