

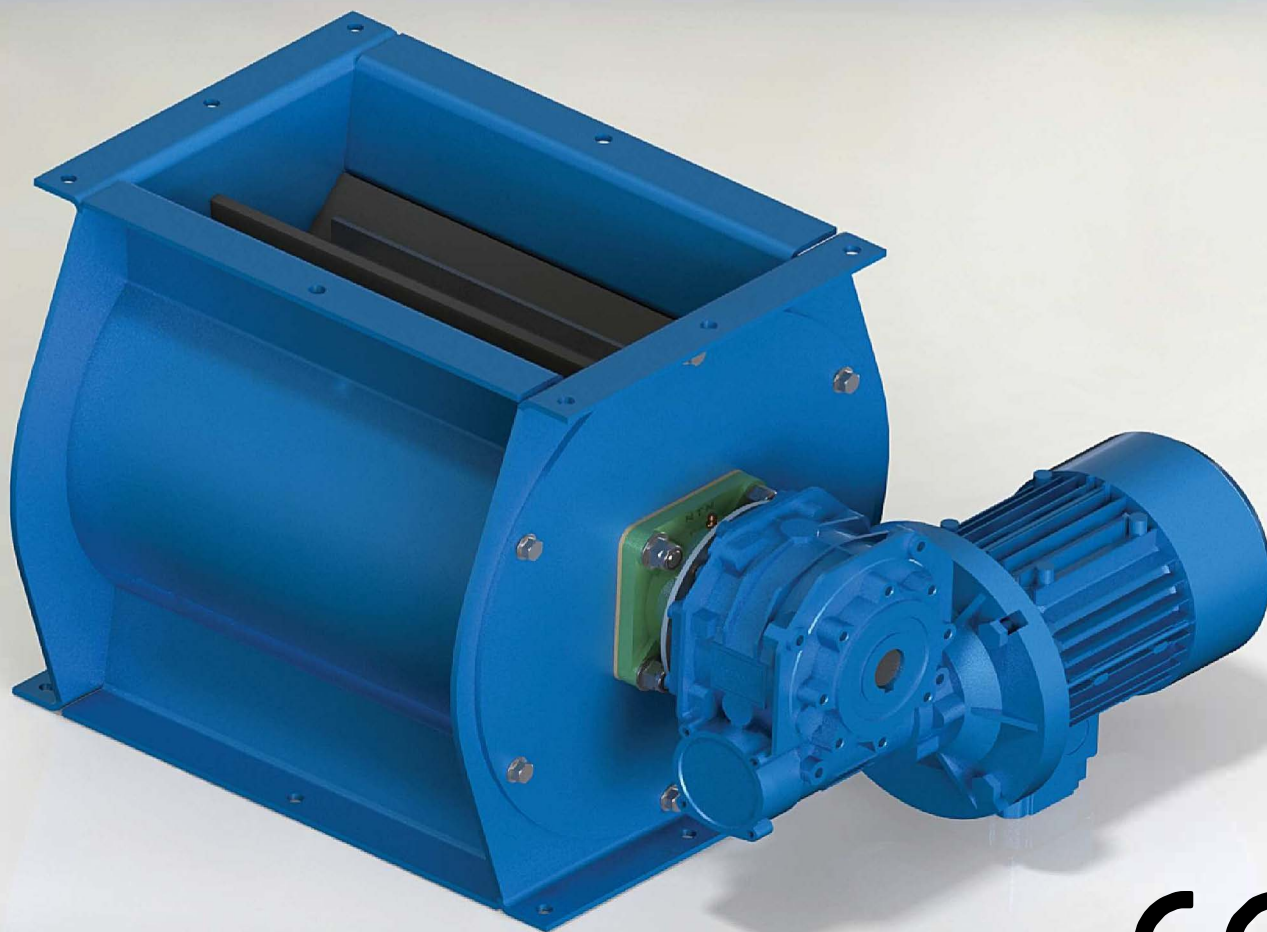
# TFI SERIES 22 / 22D / 30 / 30D / 40 / 50

## ROTARY VALVE



tehno filter d.o.o.  
AIR PURIFICATION SOLUTIONS

**MODQUIP**  
MODULAR CONVEYORS  
& EQUIPMENT



**TÜV**  
AUSTRIA

ZERTIFIZIERT

EN ISO 9001

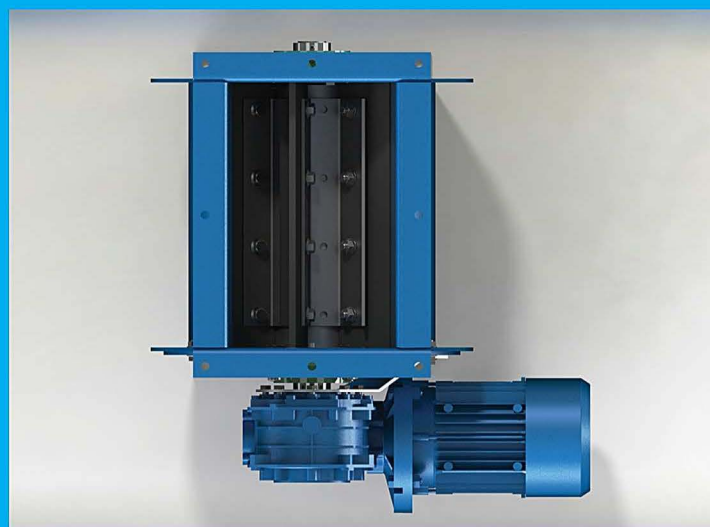
ZERTIFIKAT NR. 20 100 121272214

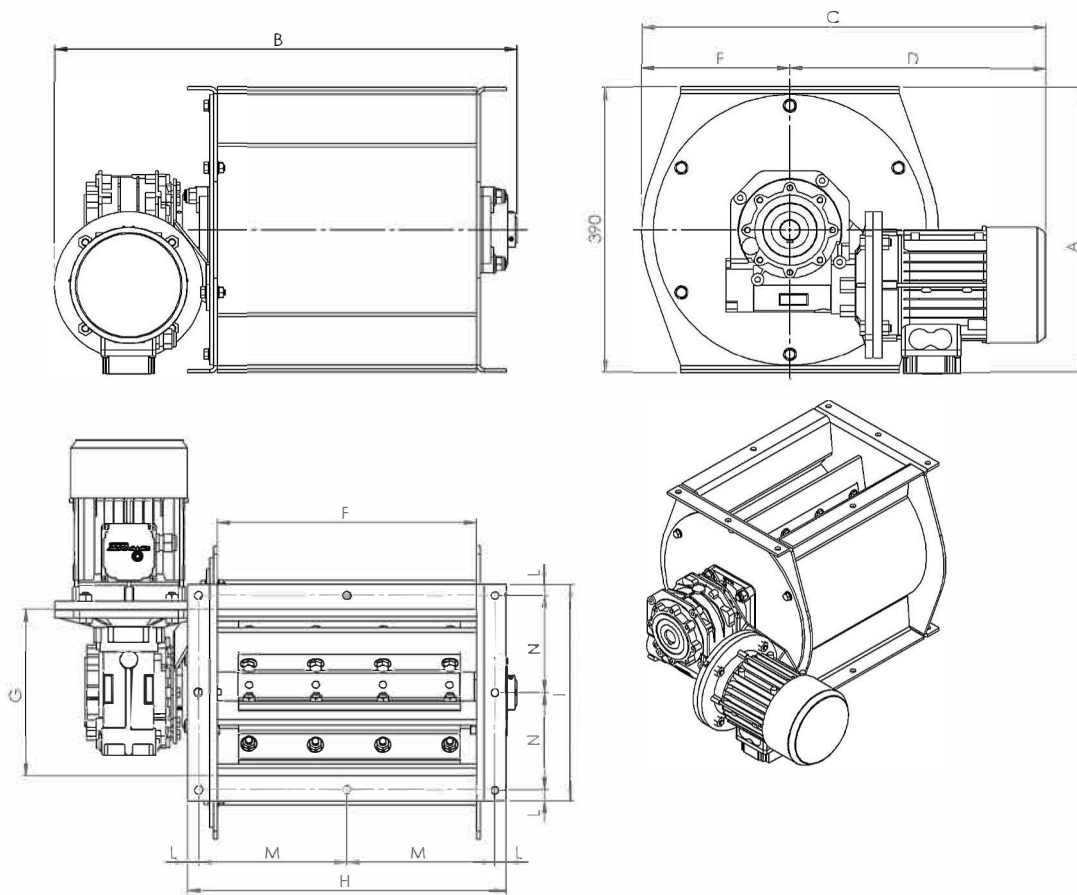
CE

Rotary valve TFI series are used for feeding bulk materials into pneumatic conveying systems and discharging out of silos and bag filter hoppers.

Rotary Valves are used in cement, chemical and process industries as an element of pneumatic conveying, dosing or dusting. It is installed on the device that prevents the equalization of pressure and allows the flow of materials or used as a dispenser of bulk materials.

TFI rotary valves come with the reliability, proper development and manufacturing using only top quality materials on the market.





# DIMENSIONS

TFI - 22 / 22D / 30 / 30D / 40 / 50

Model	Power	Rpm	Nr. of blades	Volume [m3]	Weight [kg]
TFI 22	0.5 kW	28	6	0.07	40
TFI 22 D	0.75 kW	28	6	0.08	49
TFI 30	0.75 kW	28	7	0.14	71
TFI 30 D	1.1 kW	28	7	0.17	91
TFI 40	1.1 kW	28	7	0.24	137
TFI 50	1.5 kW	28	8	0.33	164

Model	A	B	C	D	E	F	G	H	I	L	M	N	O
TFI 22	280	515	466	140	326	250	160	320	230	15	145	200	9
TFI 22 D	280	621	466	140	326	350	160	420	230	15	195	200	9
TF 30	390	623	562	200	362	350	215	430	295	15	200	132.5	11
TFI 30 D	390	773	578	200	378	500	215	580	295	15	183.5	132.5	11
TFI 40	500	800	628	250	378	500	285	590	375	200	183.5	167.5	11
TFI 50	600	943	768	300	468	600	360	700	460	20	220	210	11

**NOTE** For selecting and sizing the correct unit please contact the nearest local distributor or directly Tehno Filter d.o.o. technical department.

