

# TFM 1.1

## MOBILE FILTER UNIT FOR WELDING



TFM mobile filter unit is used for extraction of smoke and fume in welding process. It's used when central extraction unit is not economically justified.

Equipped with high quality cartridge with PTFE membrain and full rotate 360° flexible extraction arm give us top protection against harmful gases.

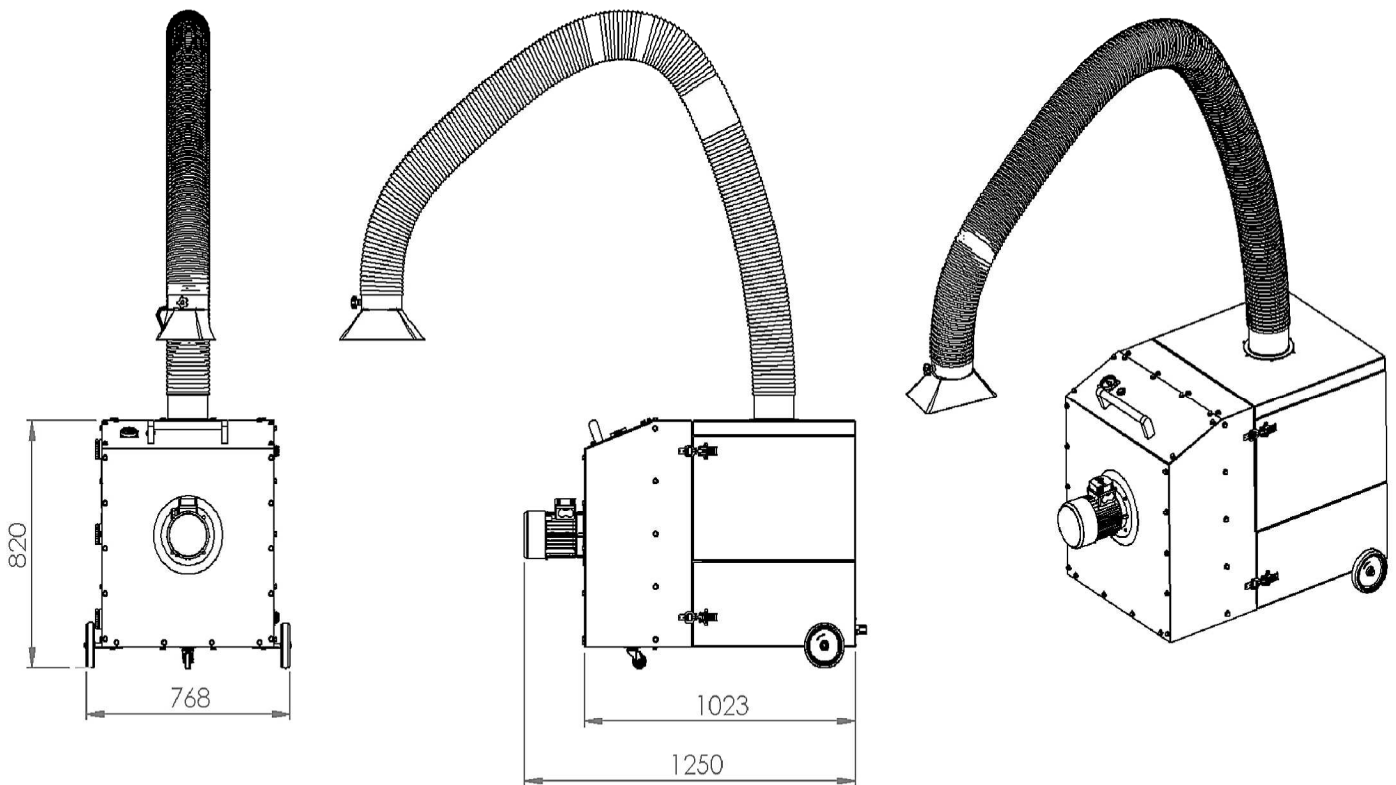
Filter cartridge filthiness indicator warn us when is time to clean the cartridges.

- DUST DRAWER FOR SAFE DISPOSAL
- FILTER FILTHINESS INDICATOR
- COMPACT DESIGN AND EASY TO USE



# TECHNICAL DATA

## TFM 1.1



### TECHNICAL SPECIFICATION

### UM

Dimensions	mm	1250 x 768 x 820
Number of filtering cartridges	nr	1
Filtering surface	m <sup>2</sup>	10
Separation rate	%	99,99
Power	kW	1.1
Electrical feeding	-	v230/400/50hZ
Airflow	m <sup>3</sup> /h	1500
Cartridge cleaning system	-	manual
Weight:	kg	135 kg
Suction arm:	type	Armoflex IBFAC D 160 / 2 m

**OPTIONAL:** Longer suction arm and more powerful electrical motor at special request.

**NOTE:** For other technical data please contact the nearest local distributor or directly Tehno Filter d.o.o. technical department.

**CLEAN AND SAFE WORKSPACE  
FOR YOUR EMPLOYEES**



Valpovačka 24, 31300 Beli Manastir  
Croatia

[www.tehno-filter.hr](http://www.tehno-filter.hr) | [kontakt@tehno-filter.hr](mailto:kontakt@tehno-filter.hr)  
phone: +385 31 701 211 | fax: +385 31 701 199